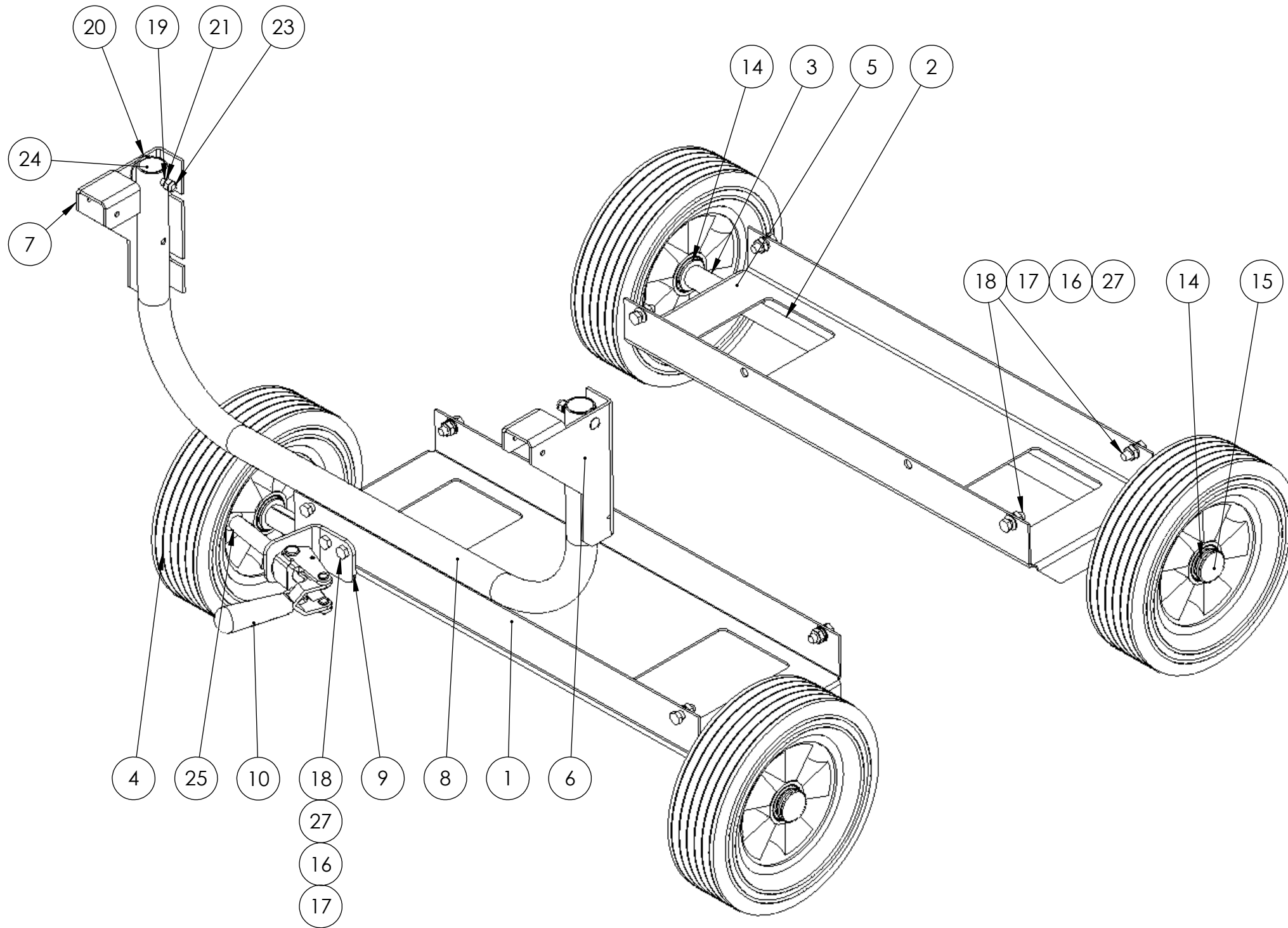


16199-032

REVISIONS					
REV.	IRN	DESCRIPTION	DATE	BY	APP'D
A	C905	ORIGINAL	2/5/2015	KS	DRC
B	3591	91658-001, 481-000, 92914-000 CHANGED TO 465-000, 480-000 & 458-000	2/21/2015	KS	DRC
C	SN11116	ADDED * TO ITEM 3, 9 & 12 FOR PARTS BAG	1/11/2016	SCN	ZJF



ITEM NO.	PartNo	DESCRIPTION	QTY.
1	15775-025	AXLE BRACKET	1
2	64326-020	AXLE 33.1875IN LENGTH	2
3	* 64688-007	SPACER AXLE STUB .75X1.75IN	4
4	43657-008	WHEEL 10" DIA X 3" HARD RUBBER	4
5	15775-006	AXLE BRACKET	1
6	300066-12	HANDLE SUPPORT OUTSIDE LEFT	1
7	300066-13	HANDLE SUPPORT OUTSIDE RIGHT	1
8	61857-007	HANDLE, DOLLY KIT	1
9	* 15775-023	BRACKET FOR BRAKE CLAMP	1
10	15775-100	PUSH PULL TOGGLE CLAMP	1
11	100047-743	CARTON	1
12	* 16199-032I	INSTRUCTION SHEET	1
13	16199-133	PARTS BAG	1
14	* 1178-000	FLAT WASHER .760 X 1.375 X .0897	8
15	* 64327-000	HUB CAP .75IN STAINLESS STEEL	4
16	* 480-000	5/16 SPLIT LOCKWASHER	10
17	* 458-000	.3125-18	10
18	* 465-000	.3125-18X.875 HHB	10
19	* 56842-005	BOLT GRG .25-20X2.00 ZINC	2
20	* 96286-006	FLAT WASHER NYLON	2
21	* 479-000	LOCK .25 SPLIT	2
22	* 62912-000	FOAM STRIP	.25FT
23	* 47517-000	.25-20 NYLOK	2
24	* 93402-002	HOLE PLUG 1.25" DIA	2
25	* 64657-100	.375-16 x 3.25IN SPINDLE	1
26	* 91372-000	BAG CLOTH W/DRAWSTRING	1
27	526-000	WASHER .3125 ID	10

NOTE:
DISCARD THE HEX NUTS THAT COME WITH 64657-100 (SPINDLE)
* - ITEMS IN PARTS BAG 16199-133

 THIS DRAWING CONTAINS PROPRIETARY INFORMATION BELONGING TO WINCO. UNAUTHORIZED USE IS PROHIBITED. ALL DIMENSIONS INCH	DRAWN BY	DATE	CHK'D BY	DATE	ENG APPR.	DATE
	KS	2/5/2015				
	TOLERANCE:	+/- 0.0625 DECIMAL +/- 1 DEG ANGULAR		TITLE: DOLLY KIT, 4 WHEEL, BRAKES		
	MODEL:	VARIOUS		PART: 16199-032		

